



HUTNÍ MONTÁŽE

MINING INDUSTRY

a member of WITKOWITZ



two centuries of experience for the technologies of the future

WITKOWITZ is a brand of unique mechanical engineering solutions: large-size forgings made of special alloys, complex gearboxes, pressure tanks or heavy-duty steel structures. They can be found, for example, in the form of bridges; as a part of ship engines, industrial installations or hydro, wind and nuclear power plants operating with renewable energy sources.

193

year of experience

1400

employees

11

mechanical engineering
companies

6

continents with our
products

Hutní montáže, a.s. Installation of large investment units, their repair and maintenance. It operates in the field of supply and installation of steel structures, bridges, pressure and non-pressure parts of technological units (especially in the energy sector) worldwide, rental of cranes and construction machinery. www.hutni-montaze.cz



NOEN, a.s. The company's main activity currently consists of designing and engineering machines and equipment for open-pit mining as well as mineral storage. This includes studies and projects of new bucket wheel excavators, reconstructions and modernizations of belt conveyors and machines for stockyards. Furthermore it involves design documentation, including calculations and shop drawings of partial nodes of machines from both the indicated field and complete machines. www.noen.cz



Witkowitz Mechanica, a.s. Maintenance, service and repair of equipment for metallurgy, engineering and electricity generation. Performs inspections and maintenance of technological equipment. Custom engineering production and assembly. www.witkowitz-mechanica.cz



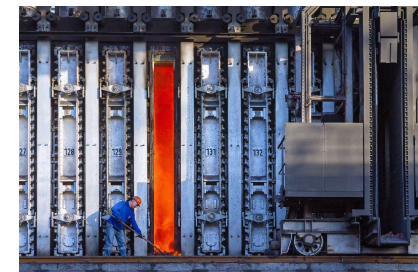
WITKOWITZ ENVI a.s. Production of large-capacity storage tanks made of stainless steel sheets and sheets equipped with enamel, powder coated. Design, production, assembly, reconstruction or maintenance of wastewater treatment plants (WWTP), biogas stations (BGS) and stores of liquid fertilizers (SLF). www.witkowitz-envi.cz



Witkowitz Atomica a.s. A member of WITKOWITZ, the company is focused on development of the projects and technologies in the fields of power engineering, environment, and innovation. www.witkowitz-atomica.cz



WITKOWITZ SLOVAKIA a.s. A team of workers with years of experience in supply engineering activities. Cooperation with several Slovak and foreign companies and provides a comprehensive solution to customers requirements. Company develops creative and innovative potential in the preparation and implementation of large investment units. www.witkowitz.sk



VÍTKOVICE ENERGETICKÉ STROJÍRENSTVÍ a.s. Manufacturing of pressure and non-pressure parts of power plants, equipment for chemical, petrochemical and steel industry. Cooperation in form of rolling and bending of plates, bending of pipes, welding, heat treatment, machining. A member of WITKOWITZ, the company is focused on development of the projects and technologies in the fields of power engineering, environment, and innovation. www.vitkovice-es.cz



VÍTKOVICKÉ STROJÍRNY s.r.o. It offers for rent production premises with barrier-free access in the area in a logistically perfectly accessible place. Rental of halls and machines and provision of services for these rentals. www.witkowitz.cz



GEARWORKS a.s. Complex custom production of gearboxes, gears and other engineering products, overhaul of gearboxes, heat treatment, design and construction. It owns a modern machine park, thanks to which it focuses on the implementation of large-scale products.

www.gearworks.cz



VÍTKOVICE HAMMERING a.s. Processing of a wide portfolio of materials (titanium, nickel, stainless steel, special alloys...), which are used in the aerospace industry and in healthcare. It has at its disposal the traditional technology of free forging as well as the most modern rotary forging technology. www.vitkovice-hammering.cz



MINING INDUSTRY



New department for Mining industry

The company's main activity currently consists of designing and engineering machines and equipment for open-pit mining. Sales and Leading the projects. Using know how from company Noen and Gearworks.



NOEN a.s.

KNOW HOW

The company's main activity currently consists of designing and engineering machines and equipment for open-pit mining.



GEARWORKS a.s.

KNOW HOW

Know how from leading projects of open pit mine.

HISTORY OF THE MINING INDUSTRY

Company from WITKOWITZ



1948

VÍTKOVICE

Vítkovice is specialized from 1950 on the fields of designing, production and construction of mechanical and electrical equipment.



1997

NOEN

NOEN, a.s. is specialized from 2003 on the fields of designing, production and construction of mechanical and electrical equipment.



2008

GEARWORKS

Gearwoks – engineering department for mining industry moved to company Gearworks.



2019

HUTNÍ MONTÁŽE

New department for mining industry. This company using know how from companies Gearworks and Noen for build new machines for mining industry.



Introduction

Hutní montáže, join stock company, is a traditional and the biggest company within the Czech Republic in the sphere of mechanical erection, repair and maintenance of industrial facilities, power generation units and infrastructure. Beside of the domestic market, HM acts in foreign markets, mainly in EU countries: Germany, Poland, Slovakia as well as in Scandinavia, and also beyond the seas, for example, in Uruguay and Republic of South Africa.

Annual revenue of company are long-term get about 40-50 mil €.

Export is about 70 – 90 % from this.

Having own 500 employees and 100 sub-suppliers, company „Hutní montáže“ has in total 600 workers, including 100 welders.

WHAT WE DO

A long-established and the largest company in the sphere of mechanical erection, repair and maintenance in the Czech Republic. Company operates in the sector of structural steel delivery and installation, steel bridge construction, equipment installation, cranes and construction machinery rental.



MINING INDUSTRY

Wheel excavators

Construction of giant bucket wheel excavators and overburden excavators used for mining is one of our main business activities. We carry out installation works as part of overhauls and refurbishment of the above machines as well.



POWER INDUSTRY

Paper Mill...

We perform complex installation of energy recovery and paper boilers, installation of pressure and non-pressure boiler parts, including annealing, NDT, pressure testing, technology, welding, storage, lifting procedures, and scaffolding.



INDUSTRIAL, SPORTS AND OTHER STRUCTURES

Multipurpose hall...

In our more than sixty years of existing we represents a dominant role among Czech companies in the sector of fabrication and erection of structural steel of industrial and public buildings, and sporting facilities.



BRIDGES

Motorway bridges...

Construction of steel bridges belongs to the traditional and basic sectors of its construction activities. We participated in construction of all large steel bridges in the Czech and Slovak Republic.

WHAT WE DO

In addition to the domestic market, the company is increasingly focused on EU, especially Germany, Netherlands, Slovak Republic, Finland, Sweden, Denmark, Poland, but also South Africa, Uruguay, etc.



WATER WORKS

Hydroel. Power starion...

A distinctive part of the company's activities already consists of fabrication and installation of waterworks equipment. To the waterworks equipment installed belongs penstocks and large-diameter pipelines of hydro-electric power plants.



METALLURGICAL WORKS

Blast furnace...

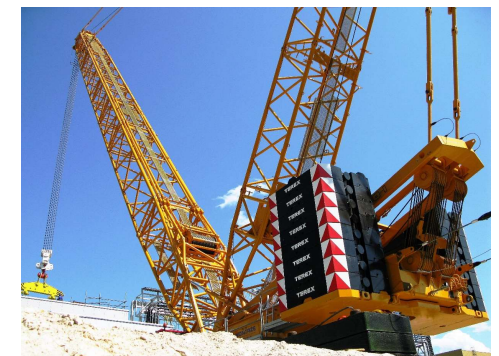
We have participated gradually in blast furnace, steelwork, hot blast stove, sintering plant, lime supply system, rolling mill, cutting line and conveyor, flue gas duct, piping system and pipe and cable bridge repair works and maintenance of many other metallurgical facilities.



CHEMICAL AND
PETROCHEMICAL INDUSTRY

Pipe instalation...

We provide construction of tanks within the Crude Oil Tank Farm Extension Project by participating in construction of 11 large-volume double-shell tanks (50 000 – 125.000 m³ capacity). We take part also in repair and maintenance of chemical plants.



CRANES

Transport, handling and lifting equipment...

We offer through the Construction Vehicles Department a wide range of heavy and oversize load handling services. We own cranes from 20 tones to 600 tones. Our team of experienced specialists provides you with expert advisory services.



Introduction

The history of NOEN, a.s. started in 1997 and company is specialized from 2003 on the fields of designing, production and construction of mechanical and electrical equipment.

From 2005, NOEN, a.s. began to gradually extend its activity to involve expert activities and consultancy in the fields of open-pit mining technologies and then involved engineering-supply activities during recovery and construction of new resources in the Czech Republic, i.e., in the fields of coal handling and energy by-products.

The company's main activity currently consists of designing and engineering of the machines and equipment for open-pit mining as well as mineral storage. This includes studies and projects of new bucket wheel excavators, reconstructions and modernizations of belt conveyors and machines for stockyards. Furthermore it involves design documentation, including calculations and shop drawings of partial nodes of machines from both the indicated field and complete machines.

NOEN, a.s., in the last ten years, it has also invested intensively in the development of its foreign business as well. From 2013, it has made great inroads also into the foreign markets.

PORTFOLIO OPEN CAST MINING

The company's main activity currently consists of designing and engineering of the machines and equipment for open-pit mining as well as mineral storage. This includes studies and projects of new bucket wheel excavators, reconstructions and modernizations of belt conveyors and machines for stockyards. Furthermore it involves design documentation, including calculations and shop drawings of partial nodes of machines from both the indicated field and complete machines.



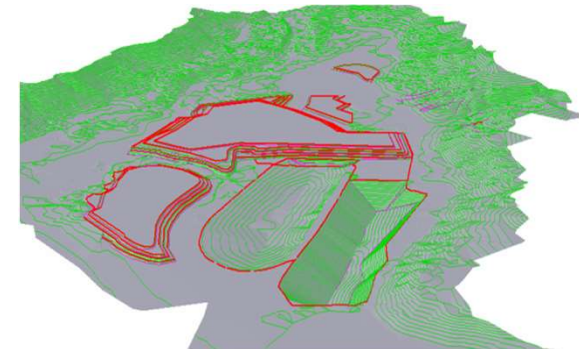
Open Cast Mining

- Bucket-wheel excavators
- Long-distance belt conveyors
- Spreaders
- Other machines



Power plants

- Coal handling systems
- Limestone- and gypsum systems
- Stackers, reclaimers
- Technological belt conveyors
- Material handling equipment



Advisory

- Analyses of investment opportunities in the sphere of coal mining
- Due diligence, feasibility studies, and turn-key projects
- Technical assistance

PORTFOLIO OPEN CAST MINING

The company's main activity currently consists of designing and engineering of the machines and equipment for open-pit mining as well as mineral storage. This includes studies and projects of new bucket wheel excavators, reconstructions and modernizations of belt conveyors and machines for stockyards. Furthermore it involves design documentation, including calculations and shop drawings of partial nodes of machines from both the indicated field and complete machines.



Ports

- Bucket-wheel excavators
- Long-distance belt conveyors
- Spreaders
- Other machines



Stocyard Systems

- Coal handling systems
- Limestone- and gypsum systems
- Stackers, reclaimers
- Technological belt conveyors
- Material handling equipment

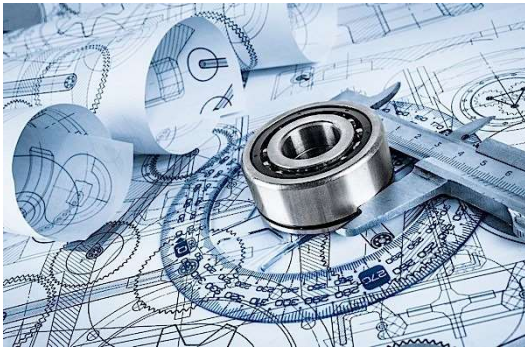


Special Systems

- Coal handling systems
- Limestone- and gypsum systems
- Stackers, reclaimers
- Technological belt conveyors
- Material handling equipment

SCOPE OF SERVICES

Design, Engineering, Production, Assembly, Tests, Commissioning, Staff training and Services



Engineering

Lay-out design, Basic design, static and fatigue calculations, Detail design



Procurement

Production of Machined parts, Steel structures, Assemblies, Vendors, Supervision



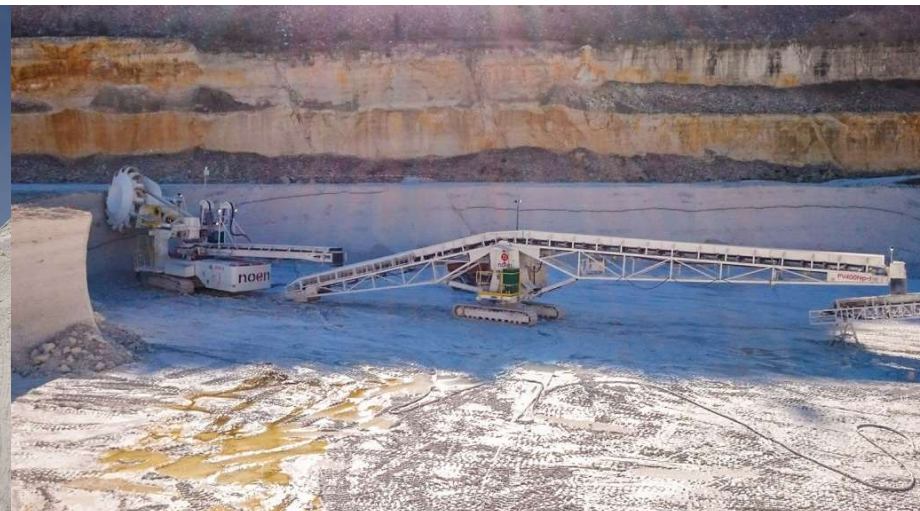
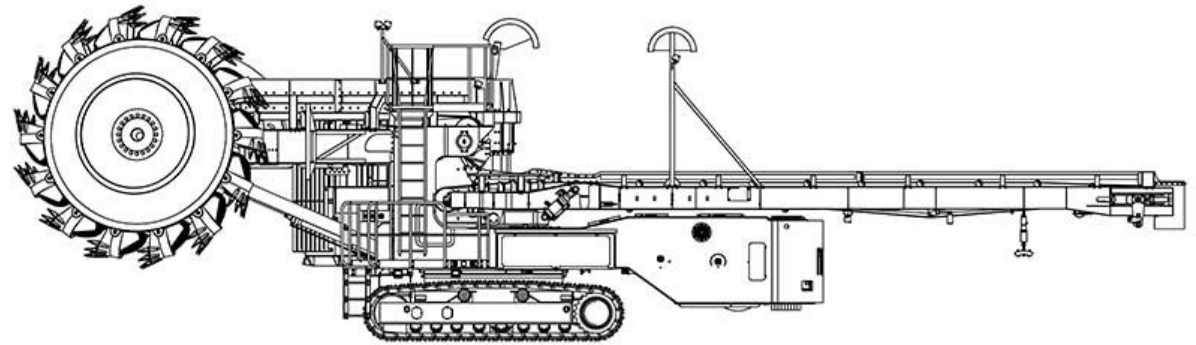
Construction

Erection - Installation of all machined parts, steel structures, assemblies, as well as electric and control systems
Commissioning, Staff training, TOT & LTPT tests

BUCKET WHEEL EXCAVATORS K 100

The K 100 compact bucket wheel excavator is the smallest one from the machines being offered. Each machine is designed for specific conditions of the mine in question. Material is excavated with the wheel buckets mounted along the wheel circumference.

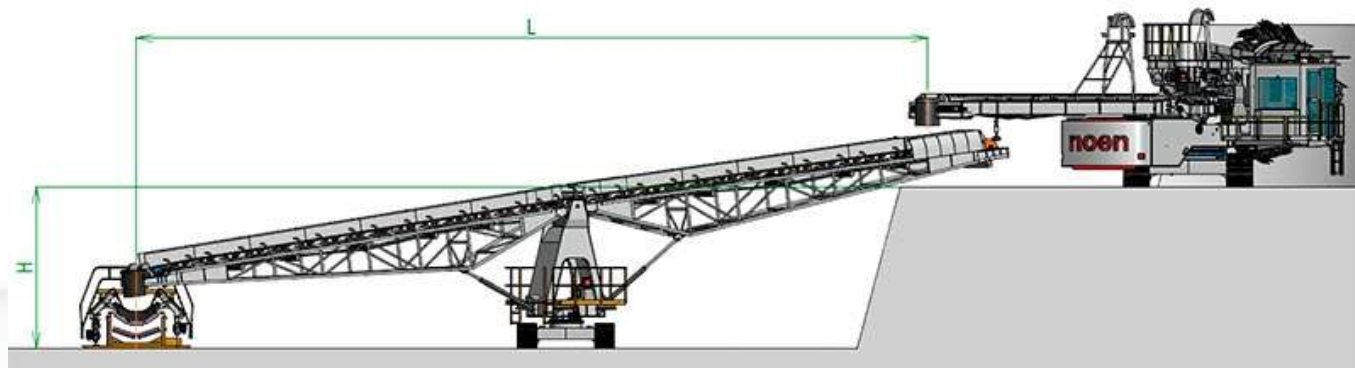
Title	Parameters
Bucket volume:	100 m ³
Belt width:	800 mm
Output of machine:	400 m ³ /h
Installed power	190 kW
Total weight:	74 t
Length of bucket wheel boom:	6 000 mm
Length of loading boom:	11 000 mm



TRANSFER CARRIAGES PV400NP (PVP 400)

The PV400Np transfer conveyor carriage transfers excavated rock material from the compact K100 bucket wheel excavator to the follow-up long-distance belt conveyors. The PV increases, to a considerable extent, manoeuvrability and flexibility of a front-end excavating machine (KR400Nk BWE in most cases) connected to the long-distance belt conveyors.

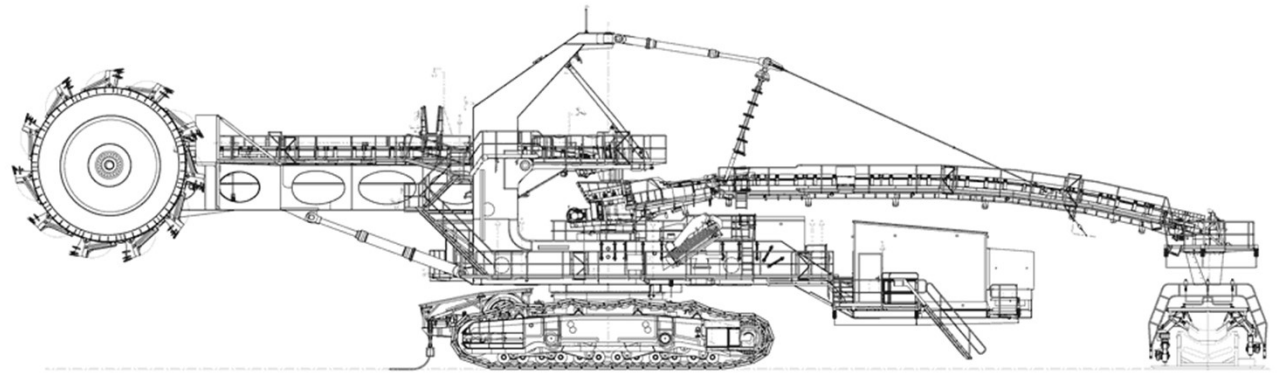
Title	Parameters
Weight in running order:	25 t
Conveying capacity of machine:	400 m ³ /h
Belt width:	800 mm
Range of driving drum heights:	2 000 m ³ /h
Machine width:	3 550 mm
Machine length:	30 500 mm



BUCKET WHEEL EXCAVATORS K 400

The K 400 compact bucket wheel excavator. This excavator is intended for mining of the former inner dump of the mine. This reason resulted in a requirement for extremely low specific pressure on ground surface for travelling: 0.065 MPa. By means of a travelling charging hopper, the excavator operates in cooperation with the 1,600mm wide long-distance belt conveyors.

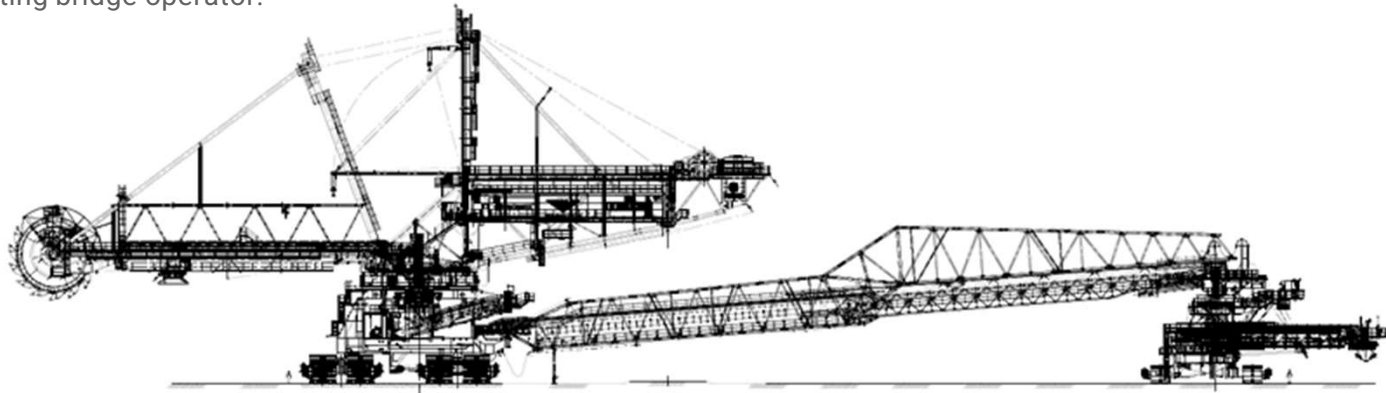
Title	Parameters
Bucket volume:	400 dm ³
Width of conveyor belt:	1 400 mm
Output of machine:	1 300 m ³ /h
Installed power	1 200 kW
Total weight:	600 t
Reach of wheel axis from turning axis:	21 m
Total length:	46 m



BUCKET WHEEL EXCAVATORS KK 1300

The KK 1300 bucket wheel excavator is intended for overburden mining under very difficult mining conditions characterized by a specific digging resistance reaching the value of 200 kN/m. The excavator operates in cooperation with 1,800 or 2,000 mm wide long-distance belt conveyors. Minimum attendance of the excavator consists of an excavator operator and a connecting bridge operator.

Title	Parameters
Bucket volume:	1 300 dm ³
Width of conveyor belt:	2 000 mm
Output of machine:	5 550 m ³ /h
Installed power	4 760 kW
Total weight:	4 977 t
Reach of wheel axis from turning axis:	51,5 m
Total length:	191 m



BUCKET WHEEL EXCAVATORS

CFT with the BWE KK1300 (5 500 m³/hr) CFT KK1300 + LDC1800mm + Spreader ZPD 6600

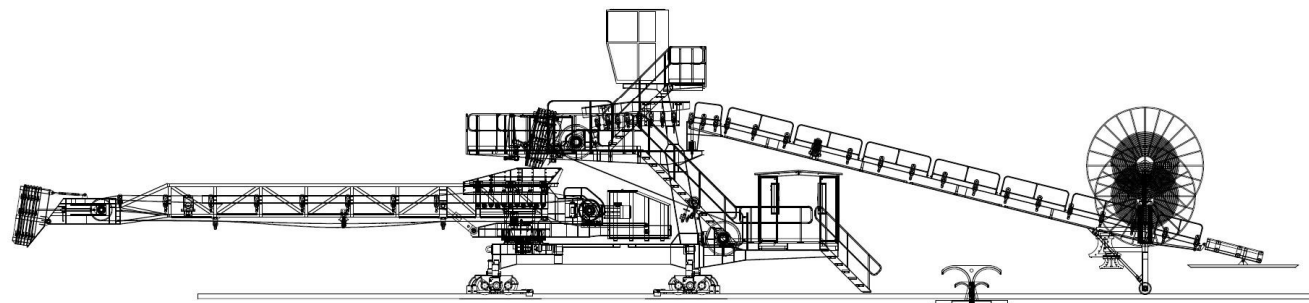
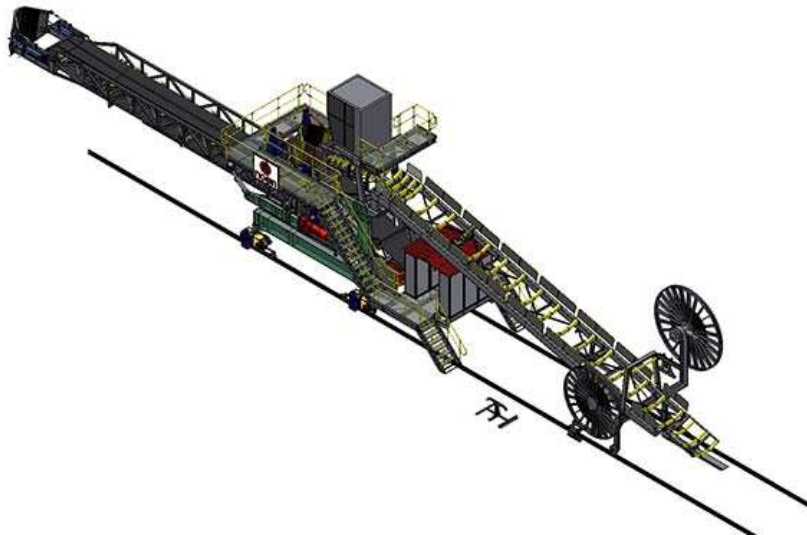


TRIPPER CARS

RAILWAY TRIPPER CAR FOR DPD
1200 – SVK 1200/1500

The SVK 1200/1500 railway tripper car is intended to be applied in the belt conveyance system of material. The machine is used to remove material from the belt conveyor and its further re-routing to a longitudinal dump or a follow-up conveying device. It is possible to convey deposit, crushed or sorted energetic coal and other raw materials. It can be used on dumps of thermal power plants, in sorting plants of fuel mixtures, heating plants and open-pit mines.

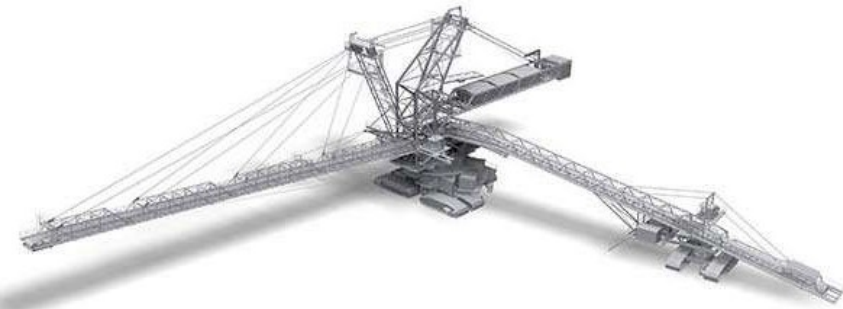
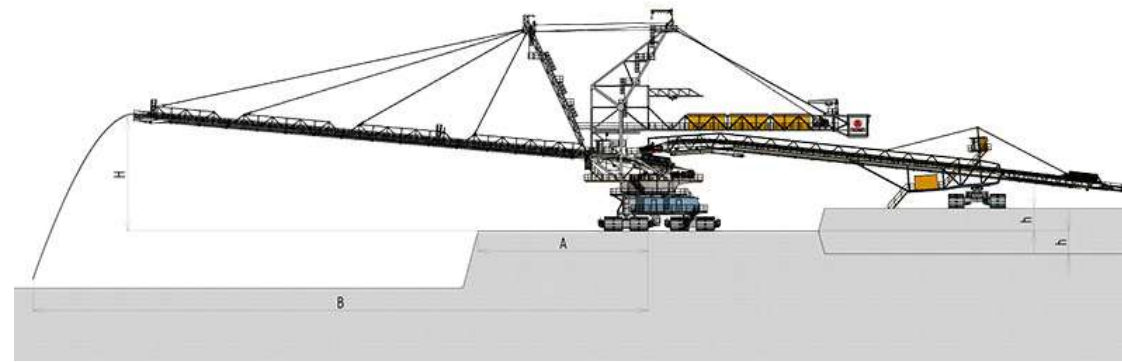
Title	Parameters
Material, output:	Brown coal, 1,500 t/h
Width of conveyors:	1,200 mm
Material to be conveyed – specific design weight of excavated material:	Max. 1,000 kg.m ³
Excavated material fraction – lumpiness:	0-40 mm



STACKER ZP7000S – STACKER (Z 7000-90)

The Z7000-90 stacker is used to stack crushed overburden to a dump.

Title	Parameters
Weight in running order:	1 500 t
Conveying capacity of machine:	7 000 m ³
Maximum height of stacking:	26 m
Maximum difference in height of undercarriage positions:	+4 m
Travel speed:	2.5-10 m/min
Installed power in total:	3 050 kW



RAILWAY STACKER ZK 20-378

Side scraper is intended for reclaiming various kind of powder material. Material reclaiming is assured by transversal scrape-out chain; consequently, material is pushed towards mobile chute of the machine. Stocked material is disrupted by means of disruptive drag which is started automatically after that machine has been put in operation.

Title	Parameters	Main advantages of this machine
Output capacity max. :	600 t/h	<ul style="list-style-type: none"> - Applicable for both covered and open stockyards - Arbitrary increase of sockyard capacity in longitudinal direction possible - Low weight compared to a combined machine - Possibility of any increase in the capacity of the landfill in the longitudinal direction - Low operating costs, easy maintenance - Landfilling of various types of bulk materials (iron ore, borin ore, coal) - Possibility of automatic or manual control, the stacker is controlled from the operator's cab or from the central control room
Operational output capacity range:	150 – 550 t/h	
Stocked material:	Boric ore	
Granulity:	0 – 50 mm	
Length of the sockyard:	95 m	
Total weight:	165 t	



BUCKET-WHEEL STACKER-RECLAIMER ZNKK 13-10-46

This kind of combination machine is intended for both stocking and reclaiming various kind of powder material. The machine travels on the railway undercarriage driven by means of spur gearbox. Reclaiming material is scooped by bucket wheel and transported via chutes onto boom conveyor and from here to the central chute consequently. Stacking material is transported by supply conveyor to the machine.

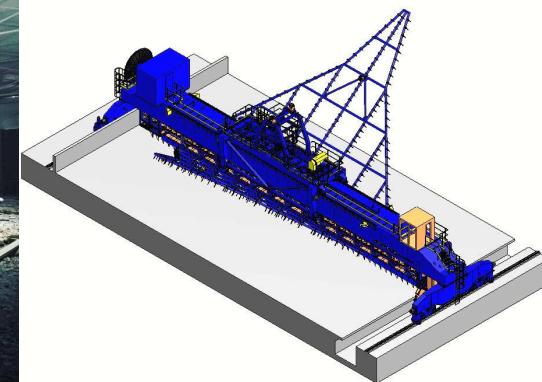
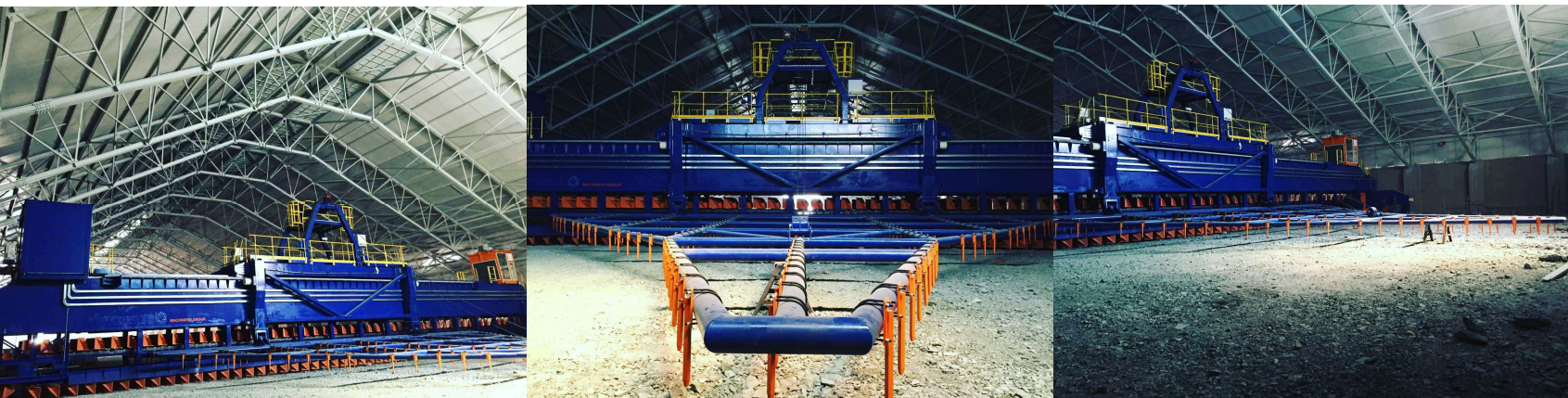
Title	Parameters	Main advantages of this machine
Stacking capacity max.:	1 035 t/h	<ul style="list-style-type: none"> - Low weight compared to a combined machine - Use for open outdoor landfills - Possibility of any increase in the capacity of the landfill in the longitudinal direction - Low operating costs, easy maintenance - Landfilling of various types of bulk materials (iron ore, borin ore, coal) - Possibility of automatic or manual control, the stacker is controlled from the operator's cab or from the central control room
Reclaiming capacity max. :	780 t/h	
Lenght of the boom (machine rotation axis – bucket wheels axis):	46 m	
Range of boom rotation:	+/105°	
Width of the belt – boom conveyor:	1 200 mm	
Total power installed:	c. 365 kW	



SIDE SCRAPER MBSk 600

This type of landfill machine is used to load various types of bulk materials. The stacker moves on a rail bogie, which is driven by front gearboxes. The superstructure of the stacker, including the boom, has the possibility of rotation with respect to the longitudinal axis of the machine by $\pm 90^\circ$. The output of the stacker is 2000t / hour.

Title	Parameters	Main advantages of this machine
Stacking capacity ma.:	1 035 t/h	- Applicable for both covered and open stockyards
Reclaiming capacity max. :	780 t/h	- Arbitrary increase of sockyard capacity in longitudinal direction possible
Lenght of the boom (machine rotation axis – bucket wheels axis):	46 m	- Various kind of powder material stocked (iron ore, boric ore, coal, cement, pulverized plaster stone, lime stone etc.)
Range of boom rotation	$\pm 105^\circ$	- Homogenization during material reclaiming
Width of the belt – boom conveyor:	1 200 mm	- Automatic or manual control mode optional
Total power installed:	c. 365 kW	



SIDE SCRAPER BSk 250

Side scraper is intended for reclaiming various kind of powder material. Material reclaiming is assured by transversal scrape-out chain; consequently, material is pushed towards machine chute and transported further onto stockyard belt conveyor.

Title	Parameters	Main advantages of this machine
Output capacity max. :	250 t/h	- Applicable for both covered and open stockyards
Operational output capacity range:	0 – 250 t/h	- Arbitrary increase of stockyard capacity in longitudinal direction possible
Stocked material:	Various kind	- Various kind of powder material stocked (iron ore, boric ore, coal, cement, pulverized plaster stone, lime stone etc.)
Granulity:	0,01 – 2 mm	- Homogenization during material reclaiming
Stockyard capacity:	8 000 t (7 200 m ³)	- Reclaimed material amount regulable easily
Width of the transfer belt conveyor	800 mm	- Automatic or manual control mode optional
Total weight:	50 t	



WHEEL ON BRIDGE RECLAIMERS MNKk 7X49

Wheel on bridge (bucket wheel) reclaimers utilize two bucket wheels mounted so that they rotate around a bridge which travels up and down the stockpile. To reclaim across the face of the stockpile, the bucket wheel systems travel along the bridge. Each bucket wheel is fitted with an oscillating rake system to ensure that the material is distributed from the stockpile and falls into the path of the rotating bucket wheels. The reclaimed material is discharged by the bucket wheels onto a transverse belt conveyor which delivers it to the down store conveyor running alongside the stockpile. By controlling the lateral movement of the bucket wheels in a planned manner, a high degree of blending is achieved.

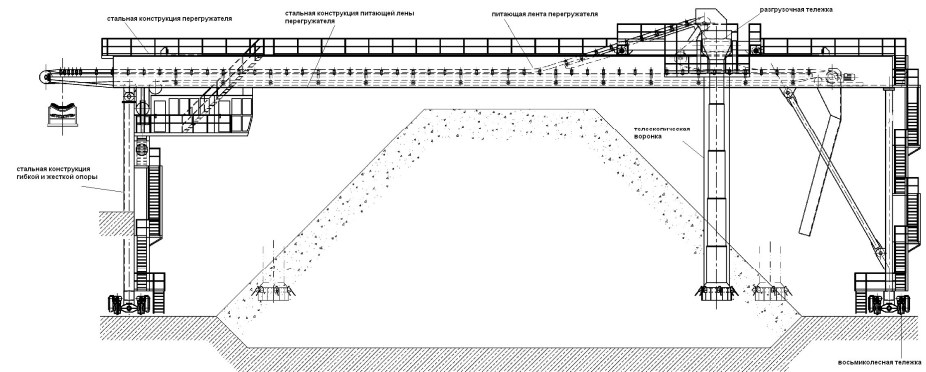
Title	Parameters	Main advantages of this machine
Output capacity max. :	1 300 t/h	- Applicable for both covered and open stockyards
Operational output capacity range:	0 - 1 000 t/h	- Arbitrary increase of sockyard capacity in longitudinal direction possible
Stocked material:	coal tailings max 48%	- Various kind of powder material stocked (iron ore, boric ore, coal, cement, pulverized plaster stone, lime stone etc.)
Granularity:	0 – 150 mm	- Homogenization during material reclaiming
Stocyard capacity:	2x 50 000t	- Possibility of automatic or manual control
Landfill width:	41 m	- Automatic or manual control mode optional
Total weight:	314 t	



STACKER ZPH 7,5x48

The equipment for the production of a blast furnace charge - a stacker - the preparation of a blast furnace charge from various raw materials (mainly iron ores, concentrates, dolomites and limestone). The stacker meets the ecological requirements is intended for for minimizing dust emissions during the technological process of blast furnace charge production by pouring homogenization piles. The uniformity of the layers of material to be loaded is ensured by regulating the amount of material on the feed belt conveyors and by controlling the travel of the dump truck and the telescopic hopper. The machine is equipped with a dedusting device for suction and filtration of dust emissions generated on conveyor overflows and in a telescopic hopper.

Title	Parameters
Loading power of the machine max.:	1 300 t/h
The width of the base of the pile:	37 m
Machine gauge:	48 m
The width of the belt conveyor:	1 200 mm
Type of rail track:	four - rail
Runway length:	530 m
Rated power:	400 kVA



REFERENCES – EXCAVATORS WITKOWITZ

Year	Type	Capacity	Customer	Location	Year	Type	Capacity	Customer	Location
1952	D 800.1	1050 m ³ h ⁻¹	SHD-koncern	Czech Republic	1975	RO 400.3	1000 m ³ h ⁻¹	Metallurgimport	Russia
1954	D 800.2	1050 m ³ h ⁻¹	SHD-koncern	Czech Republic	1976	RO 400.4	1000 m ³ h ⁻¹	Bumar	Poland
1954	D 800.3	1250 m ³ h ⁻¹	SHD-koncern	Czech Republic	1977	RO 400.7	1000 m ³ h ⁻¹	SHD-koncern	Czech Republic
1958	D 800.4	1250 m ³ h ⁻¹	SHD-koncern	Czech Republic	1978	K 10000	10000 m ³ h ⁻¹	SHD-koncern	Czech Republic
1960	D 800.5	1250 m ³ h ⁻¹	SHD-koncern	Czech Republic	1982	RK 5000.0	5000 m ³ h ⁻¹	SHD-koncern	Czech Republic
1960	D 800.6	1250 m ³ h ⁻¹	Polimex	Poland	1983	RK 400.5	1000 m ³ h ⁻¹	Bumar	Poland
1961	D 800.7	1250 m ³ h ⁻¹	Mašinoimport	Bulgria	1988	RK 5000.1	5000 m ³ h ⁻¹	SHD-koncern	Czech Republic
1961	RO 400.1	1000 m ³ h ⁻¹	SHD-koncern	Czech Republic	2002	SchRs 1500/4x30	5500 m ³ h ⁻¹	Severočeské doly	Czech Republic
1963	RK 400.2	1000 m ³ h ⁻¹	SHD-koncern	Czech Republic	2005	SchRs 1320/4x30	5500 m ³ h ⁻¹	Severočeské doly	Czech Republic
1968	DO 800.9	1250 m ³ h ⁻¹	Mašinoimport	Russia	2011	KK 1300	5500 m ³ h ⁻¹	Severočeské doly	Czech Republic
1969	DO 800.10	1250 m ³ h ⁻¹	Mašinoimport	Russia					

REFERENCES

PRODUCTION & SUPPLY OF EQUIPMENT - NOEN

Year	Title	Scope of supply:	Customer	Location
2017	Bucket Wheel Excavator K100.1 Transfer conveyor carriage PV400 Np	Processing project documentation, complete machinery supply and installation of wheel excavators K100.1 with an output 400 m ³ / h, and complete machinery supply and installation of Transfer conveyor carriage PV400 Np with an output 400 m ³ / h	OMYA AG	Germany
2016	Bucket Wheel Excavator K400.1	Processing project documentation, complete machinery supply and installation of wheel excavators K400.1 with an output 1200 m ³ / h consisting of: caterpillar chassis, substructure, swivel base, wheel boom, boom balancing, electrical, hydraulics	Mini Marica Iztok	Bulgary
2014	EPR II OB01 – Complete rebuild of coal handling	Processing project documentation, complete rebuild of coal handling system of Power Plant Pruneřov II	Škoda Praha Invest	Czech Republic
2013	Rebuild of DPD 1200 and 1600 mm southern slopes – Mine Bílina	Processing project documentation, Transfer of belt conveyor line DPD 1200 and 1600 mm	PRODECO	Czech Republic
2013	I. + II. Stage of a complete new line belt conveyor DPD 1800 TC2 for BWE KK 1300	Stage of a complete new line belt conveyor DPD 1800 TC2	PRODECO	Czech Republic
2012	ELENZ OB01 – Coal handling for new block 660 MW - Part B	Processing project documentation, complete construction of the coal handling system for a new block of 660 MW ELENZ	Škoda Praha Invest	Czech Republic
2011	Belt conveyor line DPD 1600 - southern slopes on mine Bílina	Processing project documentation, Delivery: belt conveyor V1 + V2 + V3: width 1600 mm, total length 2400 m, transport power = 3200 t / h	PRODECO	Czech Republic
2010	ETU II OB01 – Complete rebuild of coal handling system	Processing project documentation, complete rebuild of external coal handling system of Power Plant Tuřimice II	BPO spol. s r.o.	Czech Republic



HUTNÍ MONTÁŽE

for more information contact

Michal Vorynka

DIRECTOR OF MARKETING AND NEW
PROJECTS

CONTACT DETAILS

✉ michal.vorynka@hutni-montaze.cz

☎ +420 702205466

🌐 www.hutni-montaze.cz

✉ michal.vorynka@witkowitz.cz

☎ +420 702205466

🌐 www.witkowitz.cz